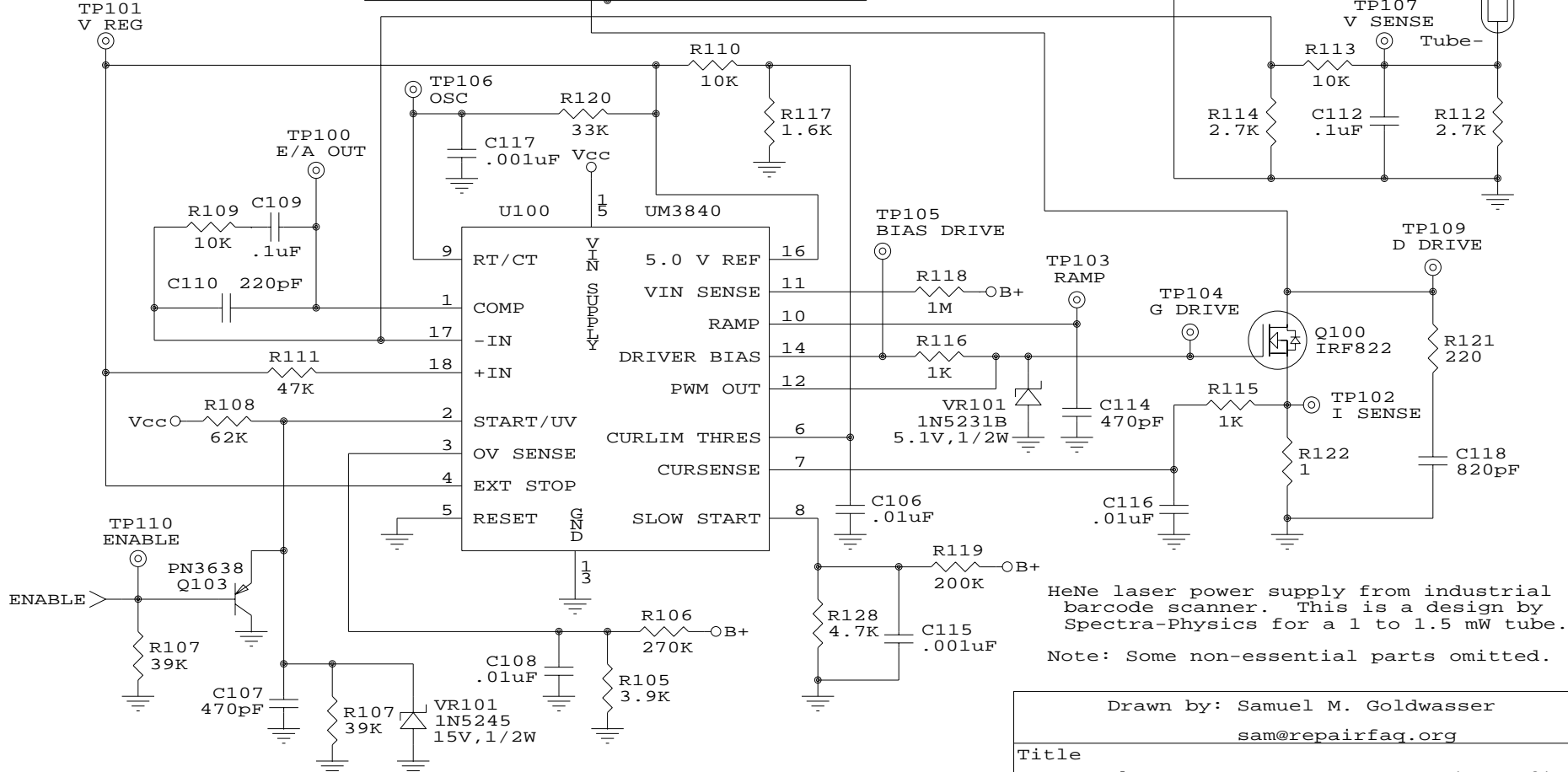


**WARNING:
Hot Chassis**



HeNe laser power supply from industrial barcode scanner. This is a design by Spectra-Physics for a 1 to 1.5 mW tube.
Note: Some non-essential parts omitted.

Drawn by: Samuel M. Goldwasser		
sam@repairfaq.org		
Title		
Barcode Scanner HeNe Laser PSU (IC-HI2)		
Size	Document Number	REV
A	IC-HI2-SCH	1.1
Date:	July 25, 2000	Sheet 1 of 1

Barcode Scanner HeNe Laser PSU (IC-HI2)