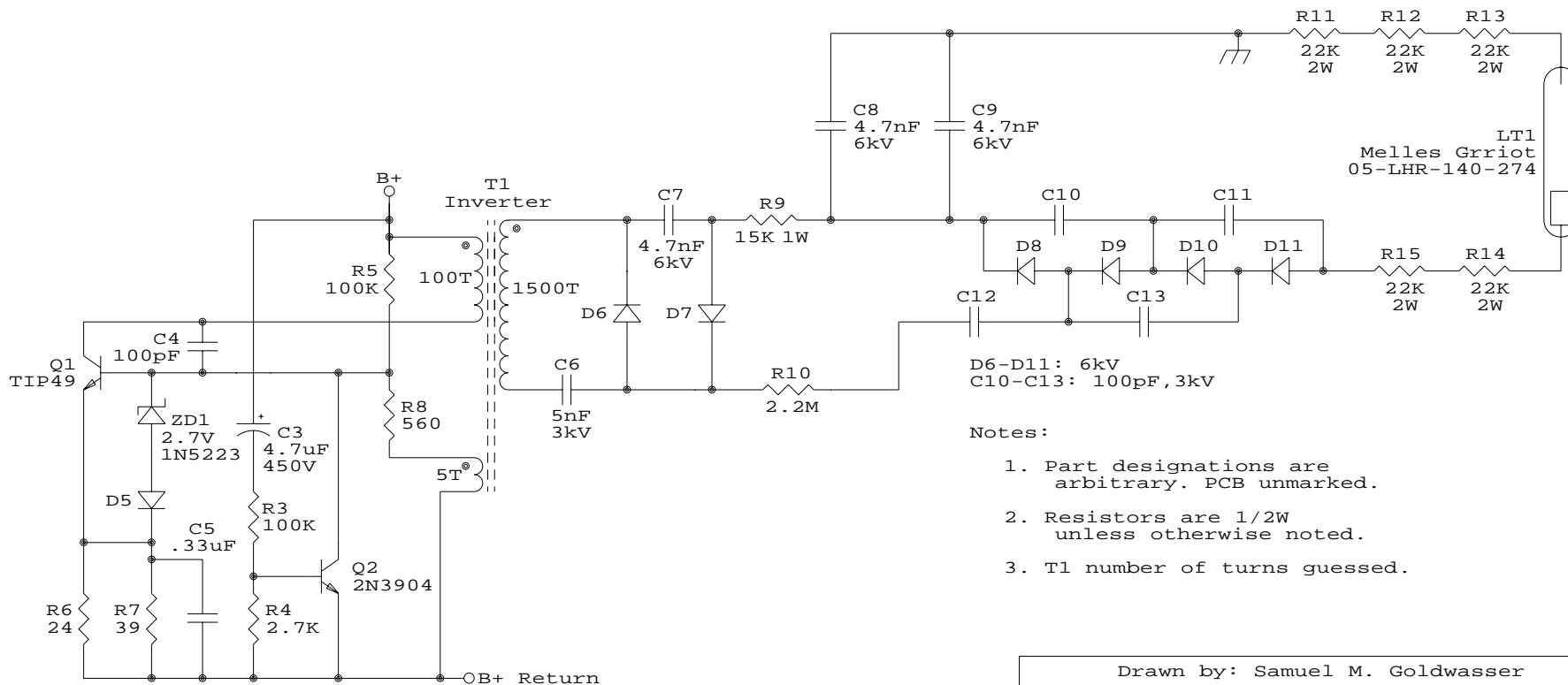
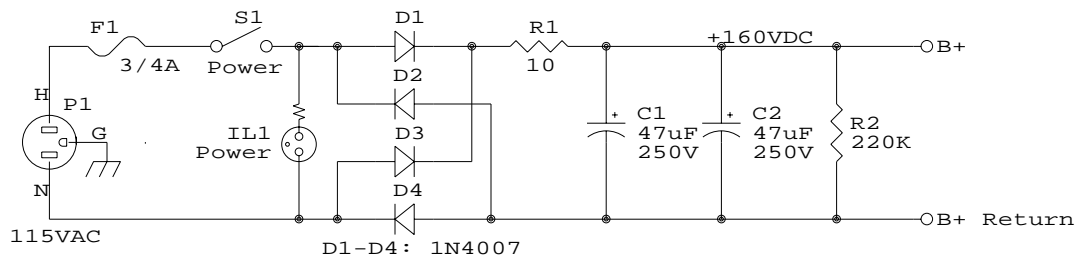


Metrologic ML855 HeNe Laser PSU (ML-855)



Notes:

1. Part designations are arbitrary. PCB unmarked.
2. Resistors are 1/2W unless otherwise noted.
3. T1 number of turns guessed.

Drawn by: Samuel M. Goldwasser

sam@repairfaq.org

Title		
Metrologic ML855 HeNe Laser PSU (ML-855)		
Size	Document Number	REV
A	ML-855-SCH	1.0
Date:	May 8, 2005	Sheet 1 of 1