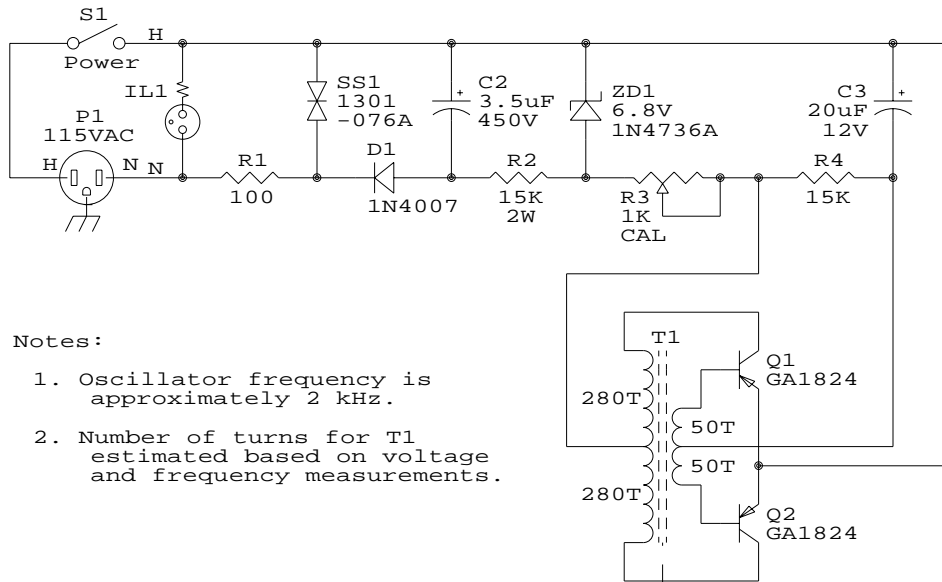
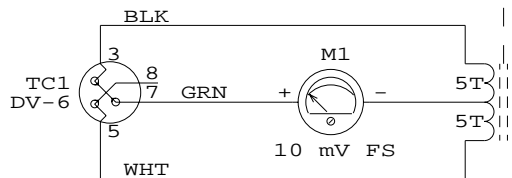


Hastings CVT-16 TC Vacuum Controller (CVT-16)



Notes:

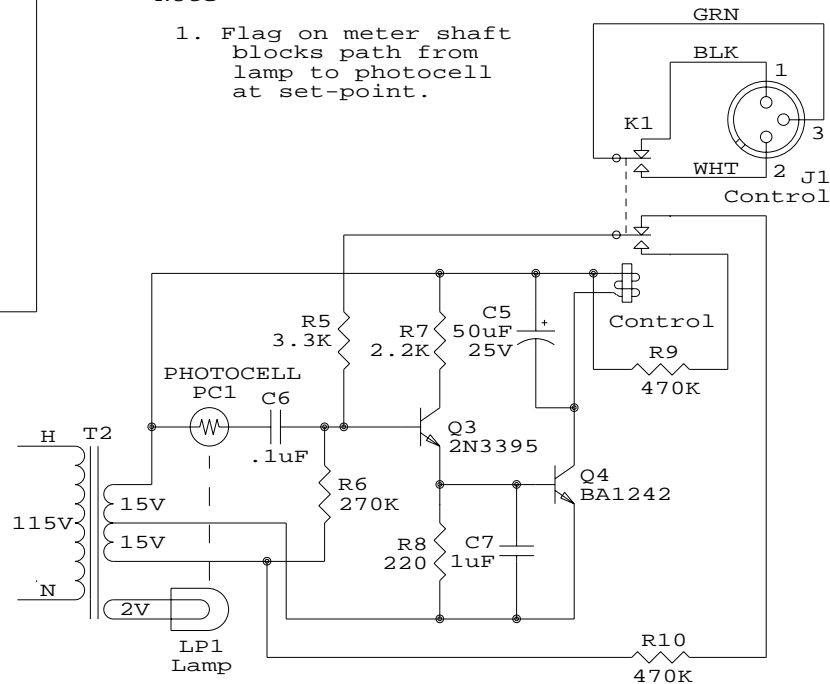
1. Oscillator frequency is approximately 2 kHz.
2. Number of turns for T1 estimated based on voltage and frequency measurements.



TC Vacuum Gauge Readout
(Similar to VT-6B)

Note:

1. Flag on meter shaft blocks path from lamp to photocell at set-point.



Setpoint Control

Drawn by: Samuel M. Goldwasser

sam@repairfaq.org

Title

Hastings CVT-16 TC Vacuum Gauge (CVT-16)

Size Document Number

A TH-CVT16-SCH

REV

1.0

Date: September 1, 2002 Sheet 1 of 1